

Product data sheet

Characteristics

XUMTANCM8

Photoelectric sensors XU, XUM, reflex, Sn 2 m, 12...24 VDC, M8

Product availability: Non-Stock - Not normally stocked in distribution facility

Price*: 162.00 USD



Main

Range of Product	Telemecanique Photoelectric sensors XU
Series name	Application packaging
Electronic sensor type	Photo-electric sensor
Sensor name	XUM
Sensor design	Miniature
Detection system	Reflex
Material	Plastic
Type of output signal	Discrete
Supply circuit type	DC
Wiring Technique	3-wire
Discrete output type	NPN
Discrete output function	1 NO or 1 NC programmable
Electrical connection	1 male connector M8, 4 pins
Product Specific Application	Detection of transparent object
Emission	Infrared reflex
[Sn] nominal sensing distance	6.56 Ft (2 m) reflex need reflector XUZC50 3.28 Ft (1 m) reflex need reflector XUZC50CR

Complementary

Enclosure Material	PBT
Lens material	PC
Output Type	Solid state
Wire insulation material	PVC
Status LED	1 LED green)instability 1 LED orange)output state
[Us] rated supply voltage	12...24 V DC with reverse polarity protection
Supply voltage limits	10...30 V DC
Switching capacity in mA	<= 100 mA overload and short-circuit protection)
Maximum voltage drop	<2 V closed state)
Current consumption	<= 10 mA no-load
Maximum delay first up	100 Ms

Maximum delay response	1 Ms
Setting-up	Sensitivity adjustment by potentiometer
Maximum Depth	0.79 In (20 mm)
Maximum Height	1.30 In (33 mm)
Length	0.43 In (11 mm)
Maximum Width	0.43 In (11 mm)
Net Weight	0.04 Lb(US) (0.02 kg)

Environment

Product Certifications	CE CURus
Ambient air temperature for operation	-13...131 °F (-25...55 °C)
Ambient Air Temperature for Storage	-22...158 °F (-30...70 °C)
Immunity to ambient light	3000 Lux natural light 3000 Lux incandescent light
Vibration resistance	20 gn +/- 1.5 mm 10...500 Hz) IEC 60068-2-6
Shock resistance	50 gn 11 ms) IEC 60068-2-27
IP degree of protection	IP67 conforming to IEC 60529

Ordering and shipping details

Category	22481 - SENSORS, PHOTOELECTRIC
Discount Schedule	DS2
GTIN	03389119061032
Nbr. of units in pkg.	1
Package weight(Lbs)	0.56 Oz (16 g)
Returnability	No
Country of origin	JP

Packing Units

Unit Type of Package 1	PCE
Package 1 Height	0.59 In (1.5 cm)
Package 1 width	6.30 In (16 cm)
Package 1 Length	7.87 In (20 cm)

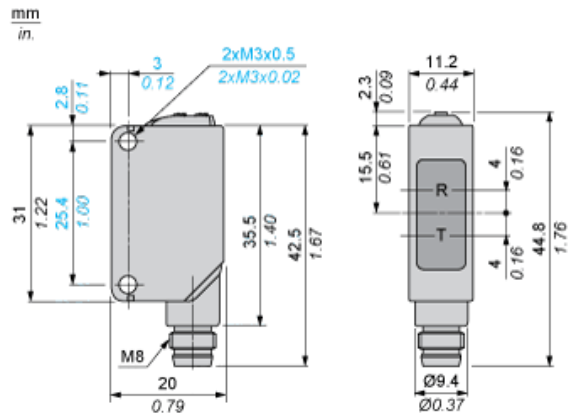
Offer Sustainability

California proposition 65	WARNING: This product can expose you to chemicals including: Diisononyl phthalate (DINP), which is known to the State of California to cause cancer, and Di-isodecyl phthalate (DIDP), which is known to the State of California to cause birth defects or other reproductive harm. For more information go to www.P65Warnings.ca.gov
EU RoHS Directive	Pro-active compliance (Product out of EU RoHS legal scope) EU RoHS Declaration
Mercury free	Yes
RoHS exemption information	Yes

Contractual warranty

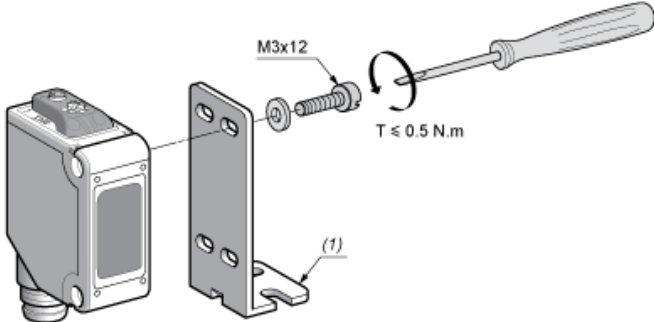
Warranty	18 months
----------	-----------

Dimensions



R : Reception
T : Transmission

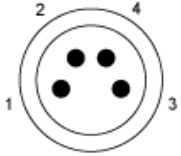
Mounting



(1) Metal bracket

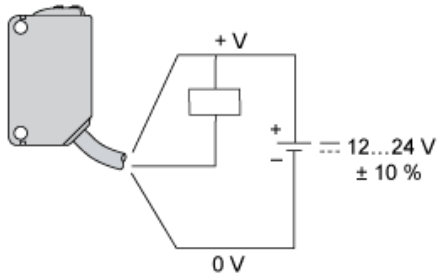
Wiring Schemes

M8 Connector



- 3: (-)
- 1: (+)
- 4: Output
- 2: Not connected

NPN Output



Product Life Status : **Commercialised**